

4

3

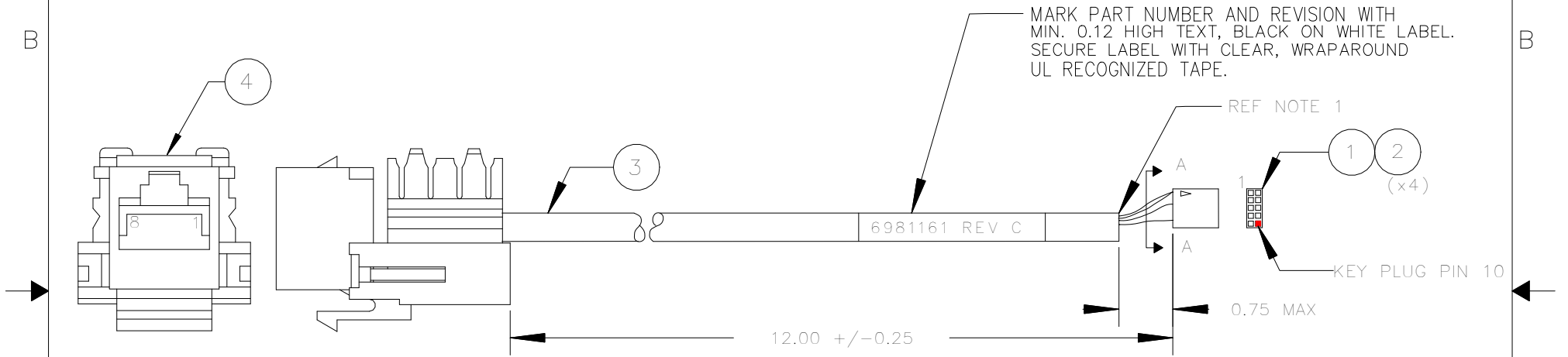
2

1

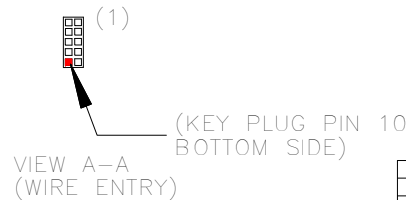
DWG NO	6981161	SHT	1	REV	C	1
REVISIONS						
REV	DESCRIPTION	DATE	DRAWN	APPROVED		
A	INITIAL RELEASE	03/17/08	KRM			
B	UPDATE WIRE TABLE	08/05/08	KRM			
C	CRIMP CON TOP VW	09/08/08	MFT			

NOTES: UNLESS OTHERWISE SPECIFIED.

1. USE UL BLK HEATSHRINK TUBING BETWEEN CAT 6 CABLE JACKET AND CRIMP CONNECTOR .75 MAX.



WIRE TABLE		
RJ45	COLOR	2x5
1	WHT/ORN	2
2	ORN	1
3	WHT/GRN	6
4	BLU	NC
5	WHT/BLU	NC
6	GRN	3
7	WHT/BRN	NC
8	BRN	NC



4	CONNECTOR, CAT 5e RJ45 JACK PANEL MOUNT	TYCO 406372-2 OR EQUIVALENT	1	EA	
3	CABLE, CAT 6, GRAY, 24AWG STRANDED	ANY MFR	A/R		
2	TERMINAL, CRIMP, 2MM, FEMALE, 26-30AWG	MOLEX 50394-8051 OR EQUIVALENT	4	EA	
1	HOUSING, 2x5, 2MM, CRIMP	MOLEX 51110-1050 OR EQUIVALENT	1	EA	
ITEM	DESCRIPTION	MFR NAME and P/N	QTY	UM	NOTE
UNLESS OTHERWISE SPECIFIED DIMENSIONS ARE IN INCHES DIM TOL: ± 0.1		DO NOT SCALE DRAWING			
		 DIAMOND SYSTEMS CORPORATION			
		CABLE, RJ45 PNL - CRIMP 2X5 2MM			
APPROVALS		DATE		SIZE	
DRAWN		KRM 03/17/08		DWG NO	
MATERIAL		CHECKED		6981161	
FINISH		ENGR		REV	
MFG		SCALE		C	
		DOC REV: B		THIRD ANGLE PROJECTION SHEET	
				1 of 1	

All COMPONENTS AND MATERIALS MUST BY RoHS COMPLIANT.

THIS DOCUMENT CONTAINS CONFIDENTIAL INFORMATION THAT IS THE PROPERTY OF DIAMOND SYSTEMS CORPORATION AND MAY NOT BE COPIED, DISCLOSED OR OTHERWISE USED WITHOUT PRIOR WRITTEN CONSENT BY DIAMOND SYSTEMS CORPORATION.

4

3

2

1